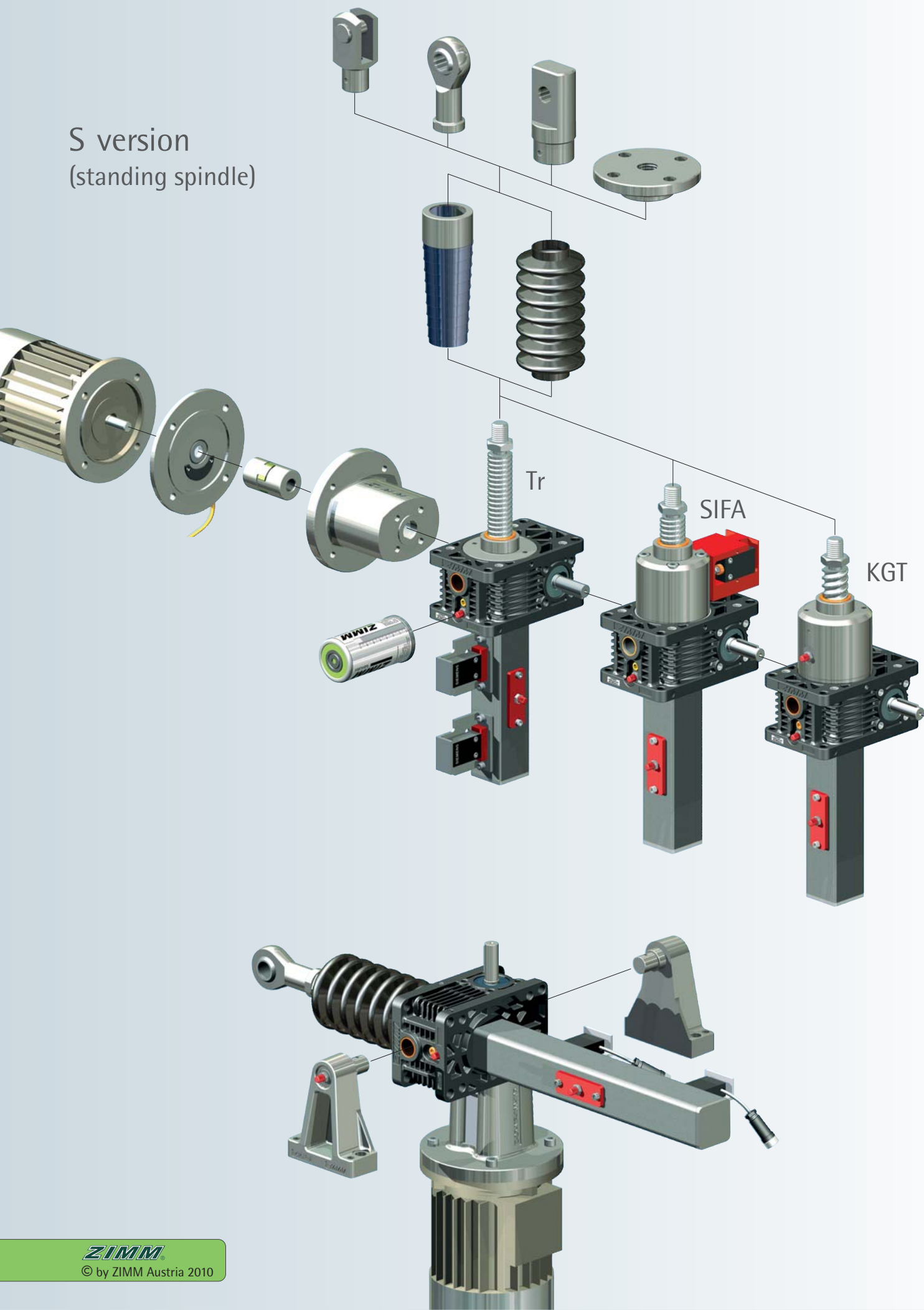


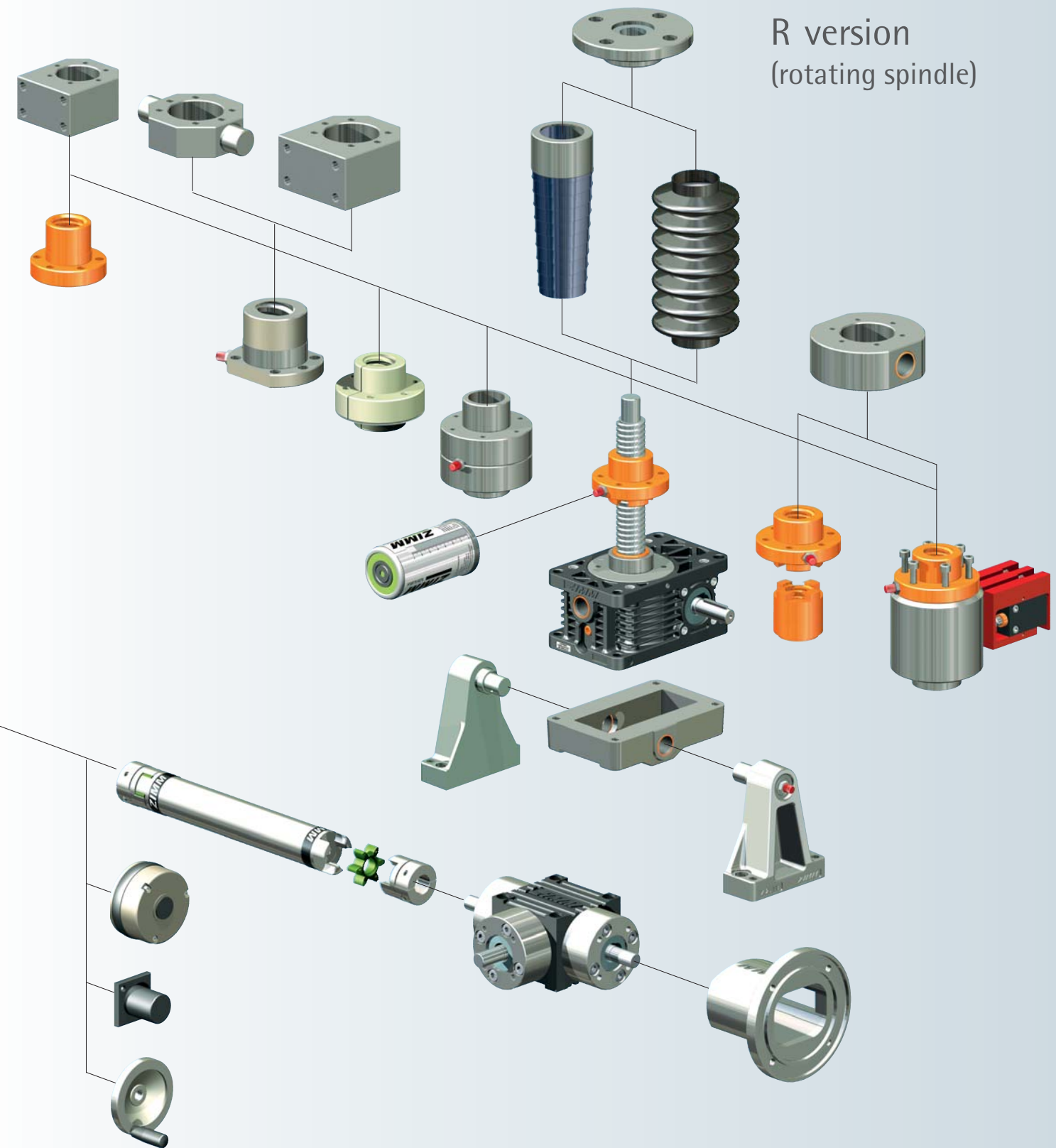
System Logic – Standing Version

S version
(standing spindle)



System Logic – Rotating Version

R version
(rotating spindle)



Patents pending for or registered for a range of functions and components!